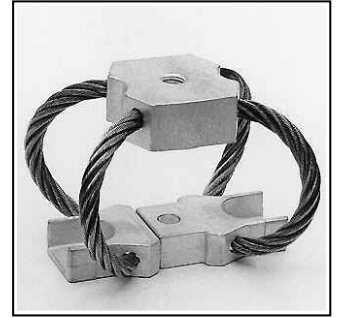
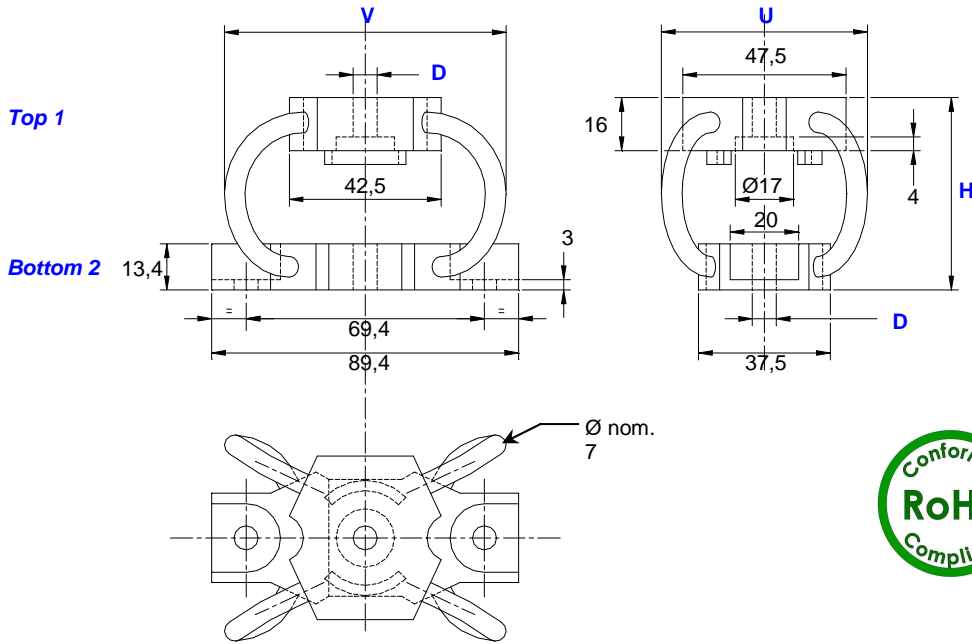


# wire rope isolators standard line "Polycal"

series  
**MP9**

## definition



- All metal multidirectional anti-vibration/shock mounts.
- Exceptional reliability and long life.
- High damping.
- No ageing.
- Corrosion resistant.
- Unequalled temperature range : -180°C +300°C.
- Cheap and quick prototypes from stock.

Dimensions are in mm.

Dimensions for reference only.

### Series

Materials and finishes

#### MP9

**Cable :**  
stainless steel.  
**Interfaces :**  
aluminium alloy.  
**Insert :**  
stainless steel.

Other materials  
on request.

### Model

	height H (mm)	width U (mm)	width V (mm)	mass (kg)
<b>-125</b>	55	65	79	0,20
<b>-180</b>	73	77	90	0,23
<b>-230</b>	86	85	102	0,26
<b>-280</b>	106	97	114	0,29

### Interfaces

fixture holes

D

#### Top 1

1 through holes Ø 7 mm  
( option : M10 )

#### Bottom 2

2 through holes Ø 7 mm

**Example :**  
MP9-230

**M P 9 - 2 3 0**

**Prefix :**  
"Polycal" mount  
from the **MP9** series

**Model : -230**  
height : 86 mm  
width U : 85 mm  
width V : 102 mm  
mass : 0,26 kg

01/07/2013

Socitec  
BP 33, 78501 Sartrouville cedex - France  
Telephone : +33 (0)1 61 04 60 00  
Fax : +33 (0)1 39 14 03 27  
http://www.socitec.com  
e-mail : shock-intl@socitec.com



Document subject to modification without prior notice

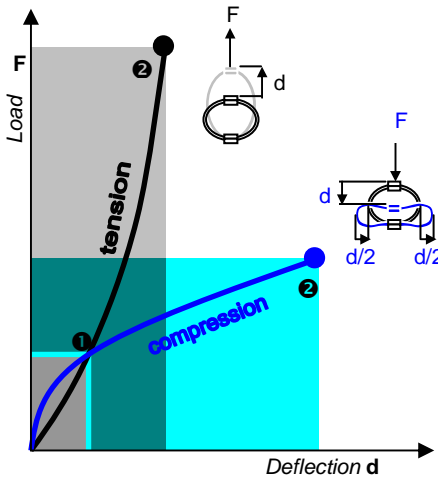
series

MP9

wire rope isolators

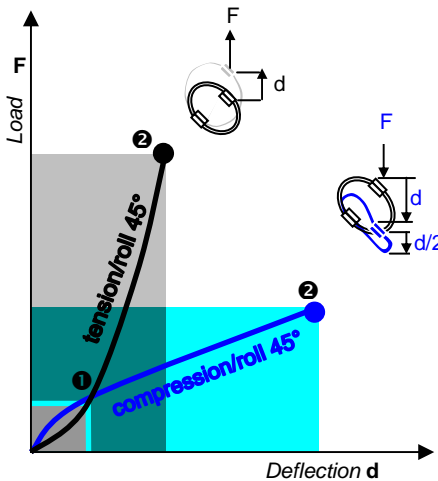
standard line "Polycal"

performances\*



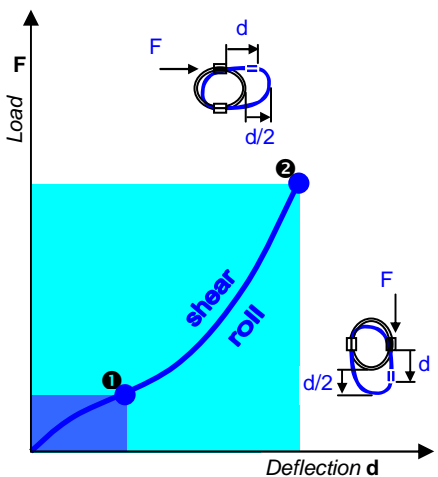
**Compression and Tension**

MP9 series	Model	-125	-180	-230	-280				
Max static	F daN	21,0	15,1	12,2	9,5				
	1 d mm	4,2	7,4	9,1	11,4				
Max shock	F daN	62,9	45,3	36,5	28,6				
	2 d mm	23	40	51	69				
Max vibration	2a mm	2,5	4,4	5,6	7,6				
	3 f Hz	8,0	5,7	5,0	4,1				
Max static	F daN	21,0	15,1	12,2	9,5				
	1 d mm	3,4	5,1	6,2	7,6				
Max shock	F daN	197	124	96,6	70,9				
	2 d mm	15	20	23	27				
Max vibration	2a mm	1,7	2,2	2,6	3,0				
	3 f Hz	11,1	9,1	8,3	7,5				



**Compression/roll 45°-Tension/roll 45°**

MP9 series	Model	-125	-180	-230	-280				
Max static	F daN	15,7	11,3	9,1	7,2				
	1 d mm	6,9	12,6	16,5	21,1				
Max shock	F daN	38,8	27,2	21,7	16,8				
	2 d mm	35	60	77	104				
Max vibration	2a mm	3,8	6,6	8,4	11,4				
	3 f Hz	6,7	4,8	4,1	3,4				
Max static	F daN	15,7	11,3	9,1	7,2				
	1 d mm	5,3	8,0	9,7	11,8				
Max shock	F daN	145	90,1	70,0	51,0				
	2 d mm	20	26	31	36				
Max vibration	2a mm	2,2	2,9	3,4	4,0				
	3 f Hz	9,8	8,1	7,3	6,6				



**Shear or roll**

MP9 series	Model	-125	-180	-230	-280				
Max static	F daN	10,5	7,6	6,1	4,8				
	1 d mm	8,0	14,0	17,8	24,1				
Max shock	F daN	60,2	35,1	26,8	18,8				
	2 d mm	24	37	45	57				
Max vibration	2a mm	2,6	4,0	5,0	6,3				
	3 f Hz	8,1	6,4	5,7	5,0				

- 1 Max static load (F) with corresponding deflection (d)
- 2 Max shock load (F) with corresponding deflection (d)
- 3 Uncoupled resonant frequency (f) under max static loading 1 and max peak to peak sinusoidal vibration input (2a)

\* Important : Performance characteristics are given here for reference only. They can be increased under specific conditions. Contact us.

01/07/2013

**Typical shock/vibration specifications :**

Ground Forces	GAM EG13A, SEFT 001, MIL-STD-810, VG 95332.
Air	AIR 7306, MIL-E-5400, MIL-C-172, MIL-STD-810.
Marine	GAM EG13C, IT25-21/96-31/15-86, MIL-S-167, MIL-S-901, STANAG 042, BV 043.73, BV 044.
Others	GAM EMB1, GAM EMBT4, DEF STAN 07-55, IEC 571, FINABEL 2C.

Socitec  
 BP 33, 78501 Sartrouville cedex - France  
 Telephone : +33 (0)1 61 04 60 00  
 Fax : +33 (0)1 39 14 03 27  
 http://www.socitec.com  
 e-mail : shock-intl@socitec.com



Document subject to modification without prior notice