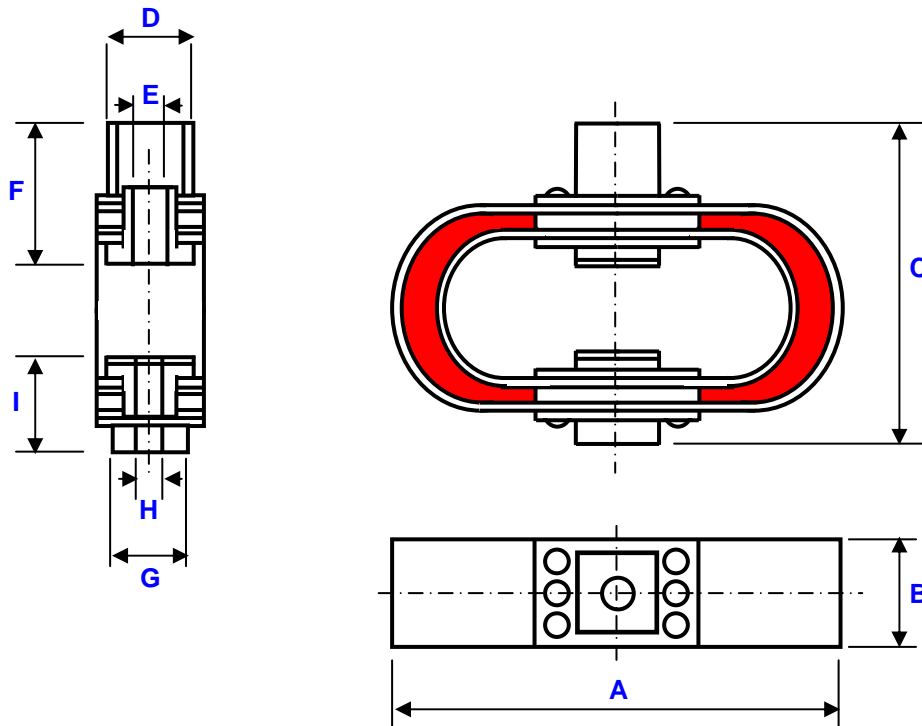


leaf spring elastomer mounts

standard line "LS"

series
LSY

definition



- Multidirectional anti-vibration/ shock mounts.
- Structure-borne noise isolation.
- Displacement under shock up to 60mm along vertical direction and 40mm along radial.
- Transmissibility : $2 < Q < 6$.
- Transmitted acceleration limited to 5g along longitudinal direction and to 15g along vertical and transversal.
- Temperature range : -20°C $+40^{\circ}\text{C}$.



Series

Materials and finishes

LSY

Leaf and washer :
stainless steel
Compound :
epoxy resin
Bush :
nylon and elastomer

Loads and Dimensions

Type	Static load (kg)			A	B	C	D	E/H	F/I	G	mass (kg)	NATO stock number
	min	nom	max									
-10	9	10	18	203	51	134	48	M6/M8	41/22	32	0,68	5340-99-778-9769
-20	18	20	35	203	51	134	48	M6/M8	42/23	32	0,80	5340-99-778-9770
-45	35	45	55	216	51	166	48	M10/M12	56/24	32	1,02	5340-99-778-9771
-70	55	70	90	216	51	166	48	M10/M12	57/25	32	1,13	5340-99-778-9772
-110	90	110	135	216	51	166	48	M10/M12	58/26	32	1,25	5340-99-778-9773
-180	135	180	250	297	102	229	96	M16/M20	77/39	64	5,90	5340-99-778-9774
-320	250	320	380	297	102	229	96	M16/M20	79/41	64	6,57	5340-99-778-9775
-450	380	450	550	297	102	229	96	M16/M20	81/43	64	7,25	5340-99-778-9776

Example :
LSY-45

LSY - 45

Prefix :
"Leaf Spring" mount
from the series LSY

Model : -45
nominal static load : 45 kg
height : 166 mm
length : 216 mm
width : 51 mm
mass : 1,02 kg

01/02/2014

Socitec
BP 33, 78501 Sartrouville cedex - France
Telephone : +33 (0)1 61 04 60 00
Fax : +33 (0)1 39 14 03 27
<http://www.socitec.com>
e-mail : shock-intl@socitec.com

Document subject to modification without prior notice

