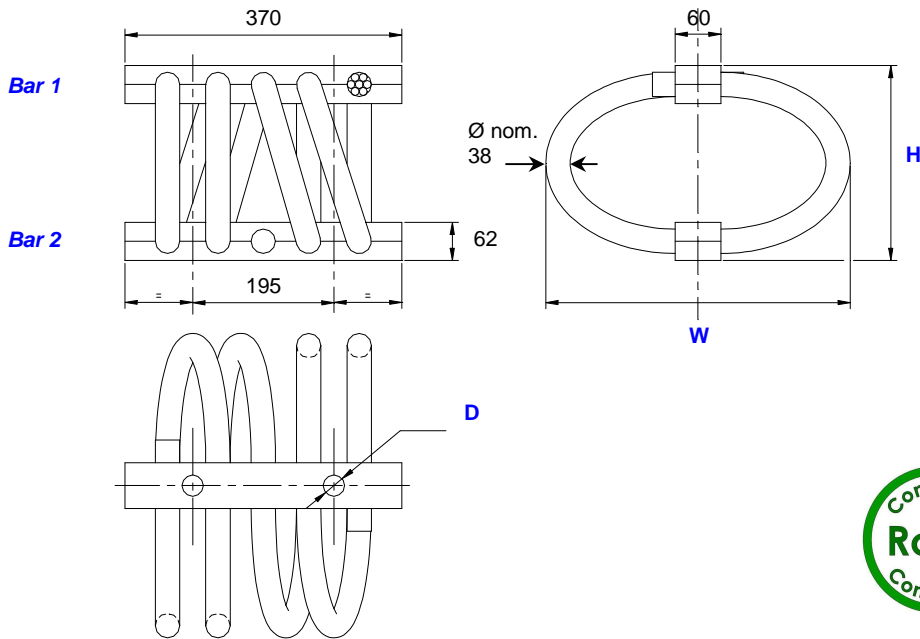


wire rope isolators standard line "Half-Helical"

series HH21

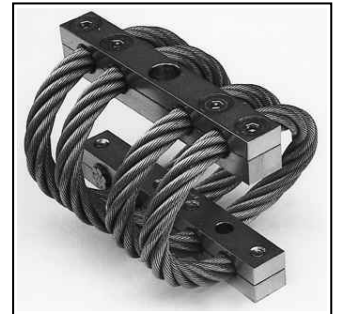
definition



Dimensions are in mm.

Dimensions for reference only.

- All metal multidirectional anti-vibration/shock mounts.
- Exceptional reliability and long life.
- High damping.
- No ageing.
- Corrosion resistant.
- Unequalled temperature range : -180°C +300°C.
- Great adaptability/versatility. Specials on request (material size and number of loops, etc.).



Series

Materials and finishes

HH21
Cable : stainless steel.
(galvanised **HHG21**)
Retainer bars : Aluminium alloy/Surtec 650
Screws : alloy steel/zinc plate.
(Inserts : stainless steel).
All stainless steel version **HHSS21**

Other materials on request.

Model

	height H (mm)	width W (mm)	mass (kg)
-10	195	250	16.0
-12	230	280	17.5

Interfaces

fixture holes
D

Bar 2

2 through holes
Ø 21 mm

2 through holes
Ø 21 mm
countersunk 90°

2 inserts M20

Bar 1

2 through holes
Ø 21 mm

2 through holes
Ø 21 mm
countersunk 90°

2 inserts M20

TM2

not standard

not standard

TCM

CM2

not standard

TIM

CIM

IM2

Example :
HH21-10CIM

H H 2 1 - 1 0 C I M

Prefix :
"Half Helical" mount
from the **HH21** series

Model : **-10**
height : 195 mm
width : 250 mm
mass : kg
4 loops

(Model : **-10-02**)
=
=
=
2 loops

Suffix : **CIM**
2 through holes Ø 21 mm
countersunk 90° in bar 1,
2 inserts M20 in bar 2.

Note : Standard models of this series have 4 loops.

01/07/2013

Socitec
BP 33, 78501 Sartrouville cedex - France
Telephone : +33 (0)1 61 04 60 00
Fax : +33 (0)1 39 14 03 27
http://www.socitec.com
e-mail : shock-intl@socitec.com

Document subject to modification without prior notice



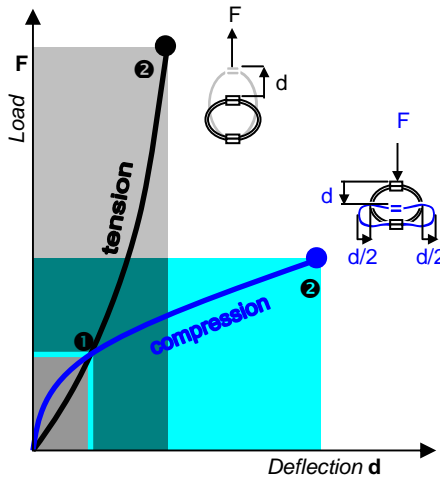
series

HH21

wire rope isolators

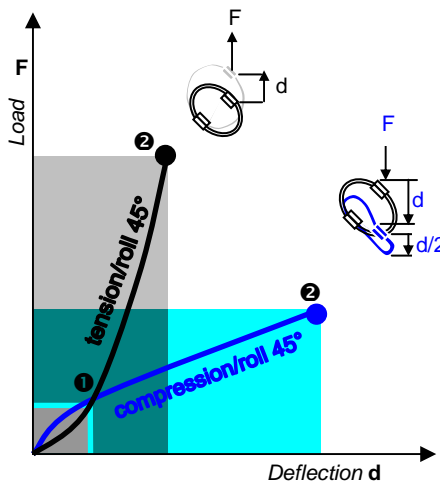
standard line "Half-Helical"

performances*



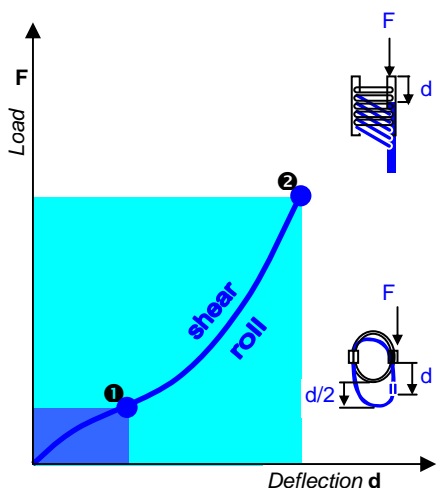
Compression and Tension

HH21 series	Model	-10	-12						
Max static	F daN	1759	1468						
	① d mm	11.8	17.6						
Max shock	F daN	5278	4403						
	② d mm	64	95						
Max vibration	2a mm	7.0	10.5						
	③ f Hz	5.1	4.0						
Max static	F daN	1759	1468						
	① d mm	11.8	15.4						
Max shock	F daN	11574	8105						
	② d mm	48	54						
Max vibration	2a mm	5.3	5.9						
	③ f Hz	6.2	5.5						



Compression/roll 45°-Tension/roll 45°

HH21 series	Model	-10	-12						
Max static	F daN	1320	1101						
	① d mm	16.6	24.8						
Max shock	F daN	3396	2752						
	② d mm	96	143						
Max vibration	2a mm	10.5	15.7						
	③ f Hz	4.3	3.4						
Max static	F daN	1320	1101						
	① d mm	16.6	23.9						
Max shock	F daN	11940	8255						
	② d mm	77	86						
Max vibration	2a mm	8.5	9.4						
	③ f Hz	5.2	4.7						



Shear or roll

HH21 series	Model	-10	-12						
Max static	F daN	880	734						
	① d mm	22.2	33.4						
Max shock	F daN	6755	4495						
	② d mm	80	101						
Max vibration	2a mm	8.8	11.2						
	③ f Hz	4.6	4.0						

- ① Max static load (F) with corresponding deflection (d)
- ② Max shock load (F) with corresponding deflection (d)
- ③ Uncoupled resonant frequency (f) under max static loading ① and max peak to peak sinusoidal vibration input (2a)

* **Important** : Performance characteristics are given here for reference only. They can be increased under specific conditions. Contact us.

01/07/2013

Typical shock/vibration specifications :

Ground Forces	GAM EG13A, SEFT 001, MIL-STD-810, VG 95332.
Air	AIR 7306, MIL-E-5400, MIL-C-172, MIL-STD-810.
Marine	GAM EG13C, IT25-21/96-31/15-86, MIL-S-167, MIL-S-901, STANAG 042, BV 043.73, BV 044.
Others	GAM EMB1, GAM EMBT4, DEF STAN 07-55, IEC 571, FINABEL 2C.

Socitec
 BP 33, 78501 Sartrouville cedex - France
 Telephone : +33 (0)1 61 04 60 00
 Fax : +33 (0)1 39 14 03 27
 http://www.socitec.com
 e-mail : shock-intl@socitec.com



Document subject to modification without prior notice