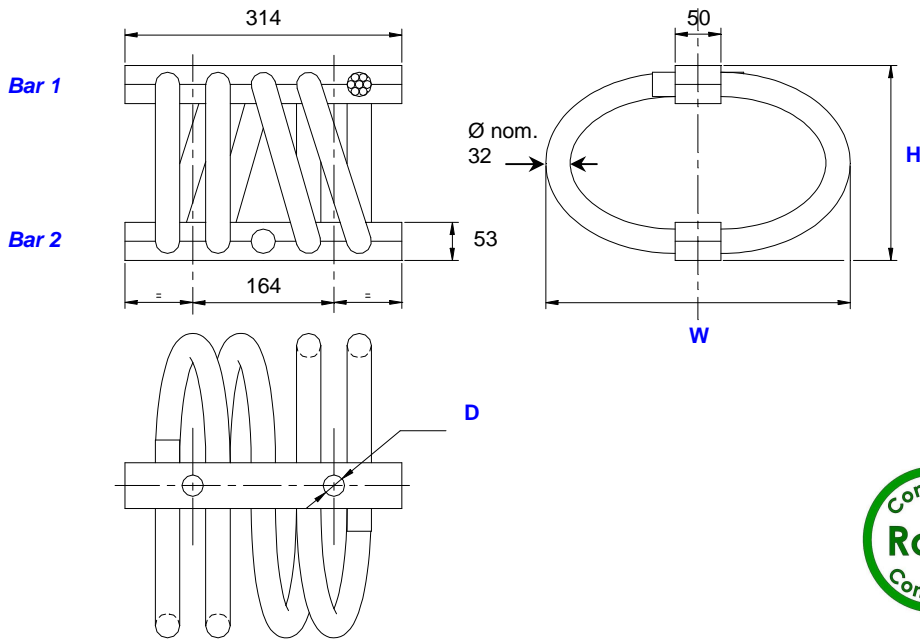


# wire rope isolators standard line "Half-Helical"

## series HH20

### definition



Dimensions are in mm.

Dimensions for reference only.

- All metal multidirectional anti-vibration/shock mounts.
- Exceptional reliability and long life.
- High damping.
- No ageing.
- Corrosion resistant.
- Unequalled temperature range : -180°C +300°C.
- Great adaptability/versatility. Specials on request (material size and number of loops, etc.).



Series
Materials and finishes
<b>HH20</b> Cable : stainless steel. (galvanised <b>HHG20</b> ) Retainer bars : Aluminium alloy/Surtec 650 Screws : alloy steel/zinc plate. (Inserts : stainless steel). All stainless steel version <b>HHSS20</b>
Other materials on request.

Model	height H (mm)	width W (mm)	mass (kg)
-10	182	210	12,0
-12	216	251	13,5
-15	235	270	14,3

Interfaces	Bar 1		
	2 through holes Ø 20 mm	2 through holes Ø 20 mm countersunk 90°	2 inserts M18
fixture holes D			
<b>Bar 2</b>			
2 through holes Ø 20 mm	<b>TM2</b>	not standard	not standard
2 through holes Ø 20 mm countersunk 90°	<b>TCM</b>	<b>CM2</b>	not standard
2 inserts M18	<b>TIM</b>	<b>CIM</b>	<b>IM2</b>

Example :  
HH20-12CIM

**H H 2 0 - 1 2 C I M**

Prefix :  
"Half Helical" mount  
from the **HH20** series

Model : -12 (Model : -12-02)  
height : 216 mm  
width : 251 mm  
mass : 13,5 kg  
4 loops = 2 loops

Suffix : **CIM**  
2 through holes Ø 20 mm  
countersunk 90° in bar 1,  
2 inserts M18 in bar 2.

Note : Standard models of this series have 4 loops.

01/07/2013

Socitec  
BP 33, 78501 Sartrouville cedex - France  
Telephone : +33 (0)1 61 04 60 00  
Fax : +33 (0)1 39 14 03 27  
http://www.socitec.com  
e-mail : shock-intl@socitec.com

Document subject to modification without prior notice



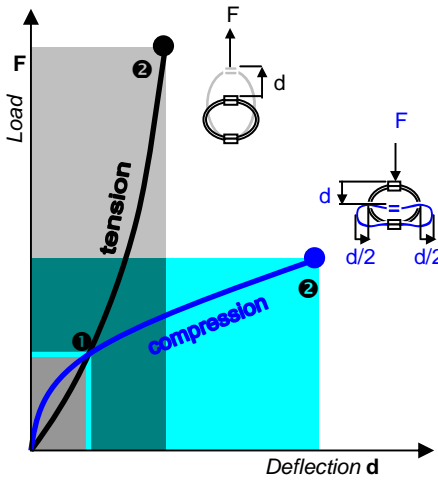
series

HH20

wire rope isolators

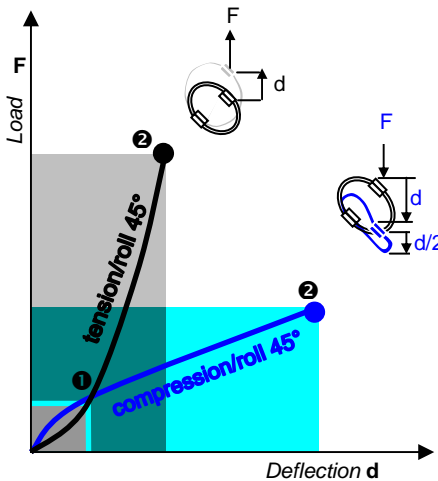
standard line "Half-Helical"

performances\*



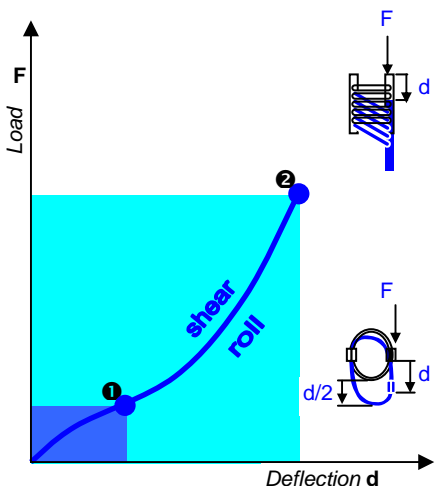
**Compression and Tension**

HH20 series	Model	-10	-12	-15						
Max static	F daN	1409	1145	1001						
	1 d mm	12,7	18,1	21,6						
Max shock	F daN	4228	3434	3002						
	2 d mm	69	98	117						
Max vibration	2a mm	7,6	10,8	12,9						
	3 f Hz	4,7	3,8	3,5						
Max static	F daN	1409	1145	1001						
	1 d mm	10,6	13,9	16,2						
Max shock	F daN	13603	10249	8745						
	2 d mm	47	58	67						
Max vibration	2a mm	5,2	6,4	7,3						
	3 f Hz	6,3	5,5	5,2						



**Compression/roll 45°-Tension/roll 45°**

HH20 series	Model	-10	-12	-15						
Max static	F daN	1057	859	751						
	1 d mm	22,8	33,4	30,5						
Max shock	F daN	2619	2096	1824						
	2 d mm	104	147	176						
Max vibration	2a mm	11,4	16,2	19,4						
	3 f Hz	3,9	3,2	3,0						
Max static	F daN	1057	859	751						
	1 d mm	16,5	21,7	25,2						
Max shock	F daN	10037	7512	6396						
	2 d mm	63	78	89						
Max vibration	2a mm	7,0	8,5	9,7						
	3 f Hz	5,5	4,9	4,6						



**Shear or roll**

HH20 series	Model	-10	-12	-15						
Max static	F daN	705	572	501						
	1 d mm	24,1	34,3	41,0						
Max shock	F daN	4696	3331	2762						
	2 d mm	74	98	114						
Max vibration	2a mm	8,1	10,7	12,5						
	3 f Hz	4,7	4,0	3,7						

- 1 Max static load (F) with corresponding deflection (d)
- 2 Max shock load (F) with corresponding deflection (d)
- 3 Uncoupled resonant frequency (f) under max static loading 1 and max peak to peak sinusoidal vibration input (2a)

\* Important : Performance characteristics are given here for reference only. They can be increased under specific conditions. Contact us.

01/07/2013

**Typical shock/vibration specifications :**

Ground Forces	GAM EG13A, SEFT 001, MIL-STD-810, VG 95332.
Air	AIR 7306, MIL-E-5400, MIL-C-172, MIL-STD-810.
Marine	GAM EG13C, IT25-21/96-31/15-86, MIL-S-167, MIL-S-901, STANAG 042, BV 043.73, BV 044.
Others	GAM EMB1, GAM EMBT4, DEF STAN 07-55, IEC 571, FINABEL 2C.

Socitec  
 BP 33, 78501 Sartrouville cedex - France  
 Telephone : +33 (0)1 61 04 60 00  
 Fax : +33 (0)1 39 14 03 27  
 http://www.socitec.com  
 e-mail : shock-intl@socitec.com



Document subject to modification without prior notice