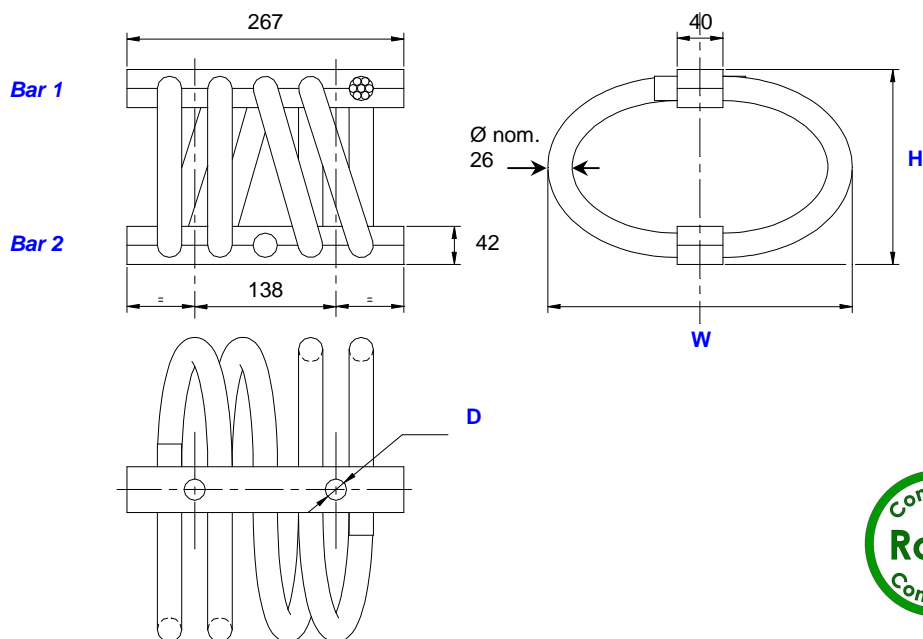


wire rope isolators standard line "Half-Helical"

series HH18

definition



Dimensions are in mm.

Dimensions for reference only.

- All metal multidirectional anti-vibration/shock mounts.
- Exceptional reliability and long life.
- High damping.
- No ageing.
- Corrosion resistant.
- Unequalled temperature range : -180°C +300°C.
- Great adaptability/versatility. Specials on request (material size and number of loops, etc.).



Series
Materials and finishes
HH18 Cable : stainless steel. (galvanised HHG18) Retainer bars : Aluminium alloy/Surtec 650 Screws : alloy steel/zinc plate. (Inserts : stainless steel). All stainless steel version HHSS18
Other materials on request.

Model	height H (mm)	width W (mm)	mass (kg)
-12	133	172	5,4
-15	147	187	5,9
-17	163	205	6,5
-20	182	225	7,1
-30	203	249	7,9
-40	228	276	8,7
-50	256	308	9,8

Interfaces	Bar 1		
	fixture holes D	2 through holes Ø 17,5 mm	2 through holes Ø 17,5 mm countersunk 90°
Bar 2			
2 through holes Ø 17,5 mm	TM2	not standard	not standard
2 through holes Ø 17,5 mm countersunk 90°	TCM	CM2	not standard
2 inserts M16	TIM	CIM	IM2

Example :
HH18-15CIM

H H 1 8 - 1 5 C I M

Prefix :
"Half Helical" mount
from the **HH18** series

Model : -15 (Model : -15-02)
height : 147 mm
width : 187 mm
mass : 5,9 kg
4 loops = 2 loops

Suffix : **CIM**
2 through holes Ø 17,5 mm
countersunk 90° in bar 1,
2 inserts M16 in bar 2.

Note : Standard models of this series have 4 loops.

01/07/2013

Socitec
BP 33, 78501 Sartrouville cedex - France
Telephone : +33 (0)1 61 04 60 00
Fax : +33 (0)1 39 14 03 27
http://www.socitec.com
e-mail : shock-intl@socitec.com

Document subject to modification without prior notice



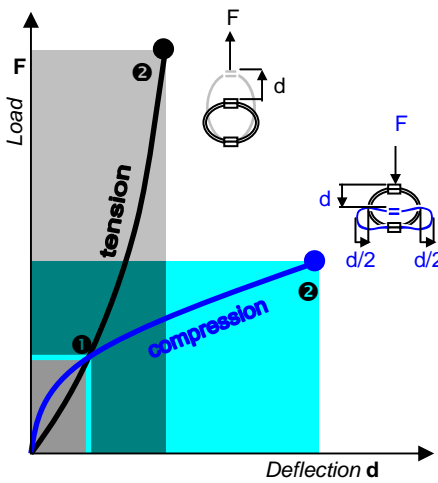
series

HH18

wire rope isolators

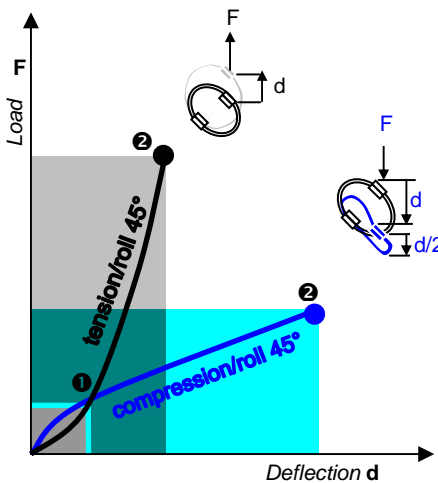
standard line "Half-Helical"

performances*



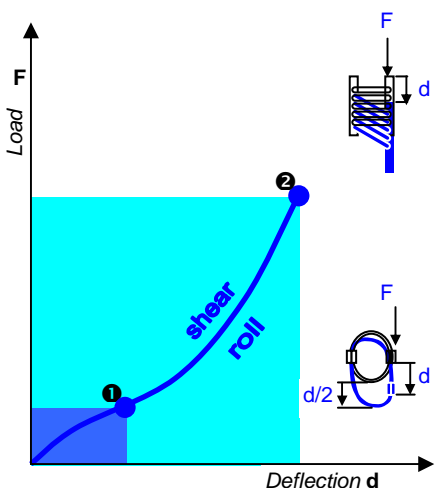
Compression and Tension

HH18 series	Model	-12	-15	-17	-20	-30	-40	-50		
Max static	F daN	983	849	714	599	492	404	328		
	1 d mm	8.1	10.5	13.1	16.3	19.8	23.9	28.6		
Max shock	F daN	2949	2546	2141	1796	1476	1213	983		
	2 d mm	44	57	71	88	107	130	155		
Max vibration	2a mm	4.9	6.2	7.8	9.7	11.8	14.3	17.0		
	3 f Hz	6.1	5.3	4.7	4.2	3.8	3.4	3.1		
Max static	F daN	983	849	714	599	492	404	328		
	1 d mm	8.1	10.0	11.9	14.1	16.6	19.5	22.8		
Max shock	F daN	6497	5169	4118	3273	2613	2078	1655		
	2 d mm	34	38	43	49	56	64	74		
Max vibration	2a mm	3.7	4.2	4.8	5.4	6.2	7.0	8.1		
	3 f Hz	7.5	6.8	6.3	5.8	5.3	4.9	4.6		



Compression/roll 45°-Tension/roll 45°

HH18 series	Model	-12	-15	-17	-20	-30	-40	-50		
Max static	F daN	737	637	535	449	369	303	246		
	1 d mm	11.5	14.7	18.5	22.9	27.9	33.7	40.3		
Max shock	F daN	1899	1618	1348	1121	916	748	604		
	2 d mm	66	85	107	132	161	194	232		
Max vibration	2a mm	7.3	9.4	11.7	14.6	17.7	21.4	25.5		
	3 f Hz	5.2	4.5	4.0	3.5	3.2	2.9	2.6		
Max static	F daN	737	637	535	449	369	303	246		
	1 d mm	11.5	14.7	18.5	21.9	25.8	30.2	35.5		
Max shock	F daN	6704	5304	4209	3331	2653	2103	1673		
	2 d mm	54	60	69	78	90	102	118		
Max vibration	2a mm	5.9	6.7	7.6	8.6	9.9	11.2	13.0		
	3 f Hz	6.3	5.8	5.3	4.9	4.5	4.2	3.9		



Shear or roll

HH18 series	Model	-12	-15	-17	-20	-30	-40	-50		
Max static	F daN	492	424	357	299	246	202	164		
	1 d mm	15.4	19.8	24.9	30.8	37.4	45.3	54.1		
Max shock	F daN	3775	2902	2242	1737	1356	1058	829		
	2 d mm	56	66	79	93	110	129	151		
Max vibration	2a mm	6.1	7.3	8.7	10.2	12.1	14.2	16.6		
	3 f Hz	5.6	5.0	4.5	4.1	3.8	3.5	3.2		

- 1 Max static load (F) with corresponding deflection (d)
- 2 Max shock load (F) with corresponding deflection (d)
- 3 Uncoupled resonant frequency (f) under max static loading 1 and max peak to peak sinusoidal vibration input (2a)

* Important : Performance characteristics are given here for reference only. They can be increased under specific conditions. Contact us.

01/07/2013

Typical shock/vibration specifications :

Ground Forces	GAM EG13A, SEFT 001, MIL-STD-810, VG 95332.
Air	AIR 7306, MIL-E-5400, MIL-C-172, MIL-STD-810.
Marine	GAM EG13C, IT25-21/96-31/15-86, MIL-S-167, MIL-S-901, STANAG 042, BV 043.73, BV 044.
Others	GAM EMB1, GAM EMBT4, DEF STAN 07-55, IEC 571, FINABEL 2C.

Socitec
 BP 33, 78501 Sartrouville cedex - France
 Telephone : +33 (0)1 61 04 60 00
 Fax : +33 (0)1 39 14 03 27
 http://www.socitec.com
 e-mail : shock-intl@socitec.com



Document subject to modification without prior notice