

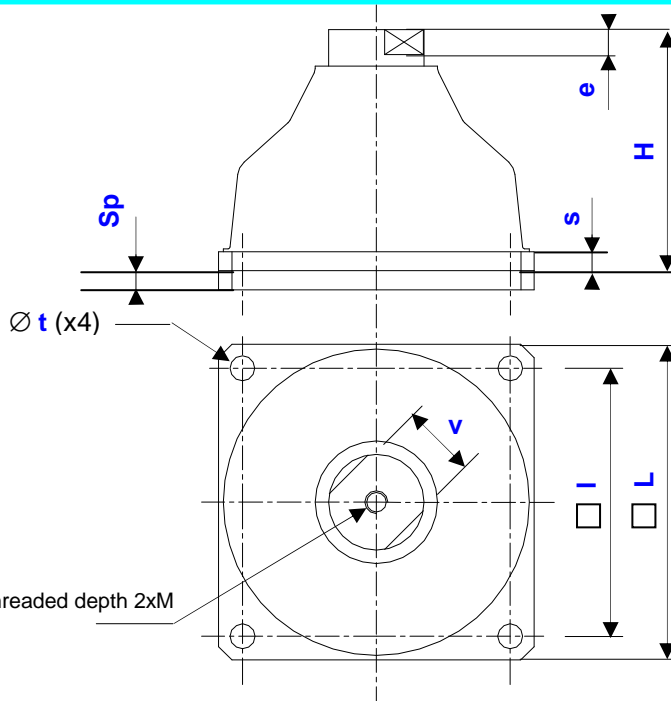
# low frequency elastomer mounts

## navy shock line "BF"

series

**BFN45**

### definition



- Multidirectional anti-vibration/ shock mounts.
- Displacement under shock from 45 to 70mm.
- Transmissibility :  $Q < 10$ .
- Resonant frequency 5Hz for nominal load.
- Temperature range :  $-30^{\circ}\text{C}$   $+70^{\circ}\text{C}$ .
- Great adaptability/versatility : Specials on request (materials, size and interfaces, etc.).



Dimensions are in mm.

### Series

Materials and finishes

#### BFN45

**Elastomer :**  
natural rubber  
**Top and bottom interfaces :**  
salt fog anti corrosion paint

Other materials on request.

### Dimensions and Load

Model	H	L	L1	e	v	t	M	s	Sp	nom. load (daN)	axial stiffness (N.mm <sup>-1</sup> )	mass (kg)
-30	100	150	114	10	27	9	M10	5	-	30	25	1,2 (2,3) (3,5)
-45										45	40	
-60										60	50	
-85										85	65	
-110										110	85	
-130	126	165	140	13	41	13	M20	10	-	130	100	3,4 (3,8) (4,7)
-170										170	130	
-230										230	175	
-320										320	210	
-425										425	290	
-500	154	250	210	14	41	18	M24	15	-	500	400	12,5
-625										625	500	
-800										800	650	
-1080										1080	840	

**Example :**  
BFN45-110e10

**B F N 4 5 - 1 1 0 e 1 0**

**Prefix :**  
"Low Frequency" mount from the **BFN45** series

**Model : -110**  
height : 100 mm  
width : 150 mm  
interface : M10

nom. load : 110 daN  
axial average stiffness : 85 N.mm<sup>-1</sup>

**Spacer : e10**  
thickness : 10 mm

01/01/2015

Socitec  
BP 33, 78501 Sartrouville cedex - France  
Telephone : +33 (0)1 61 04 60 00  
Fax : +33 (0)1 39 14 03 27  
<http://www.socitec.com>  
e-mail : [shock-intl@socitec.com](mailto:shock-intl@socitec.com)



Document subject to modification without prior notice