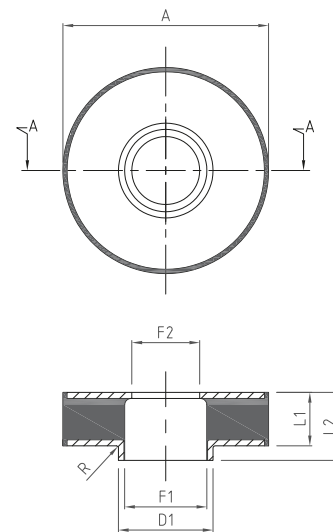
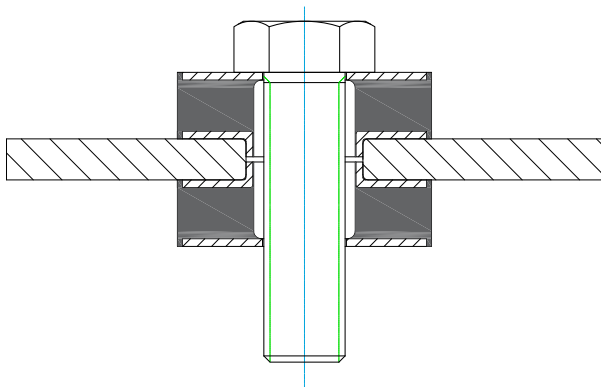


**Product description**

The ring puffer has rubber which is vulcanised to a steel washer and a flanged steel washer. This provides flexible and secure installation of the machinery. The mount provides good prevention of the installation short-circuiting, which means that the bolt which is installed through the mount does not stick out and touch the steel plates.

**Application**

Can also be used for the passive isolation of equipment which is to be mounted on walls, such as electrical cabinets, monitors, etc. Used very widely in the industry.



Type	Hardness [IRHD]	A [mm]	D1 [mm]	F1 [mm]	F2 [mm]	L1 [mm]	L2 [mm]	R [mm]	Stiffness [kg/mm]	Max. load [kg]	Max. deflection [mm]	Mount Weight [g]
RP361016	45	36	20	16.5	16.5	8	10.5	0.5	90	81	0.9	20
	60								150	135	0.9	
	70								230	207	0.9	
RP361408	45	36	18	12	8.5	10	14	0.5	70	84	1.2	35
	60								110	132	1.2	
	70								170	204	1.2	
RP502216	45	50	23	20	16.5	13	22.5	1	80	120	1.5	65
	60								140	210	1.5	
	70								210	315	1.5	
RP601720	45	60	27	24	20.5	13	17	1.5	110	209	1.9	85
	60								210	399	1.9	
	70								310	589	1.9	
RP602320	45	60	27	24	20.5	13	23.5	1.5	110	209	1.9	85
	60								210	399	1.9	
	70								310	589	1.9	
RP603421	60	60	27	24	21	30	34	1.5	70	245	3.5	130