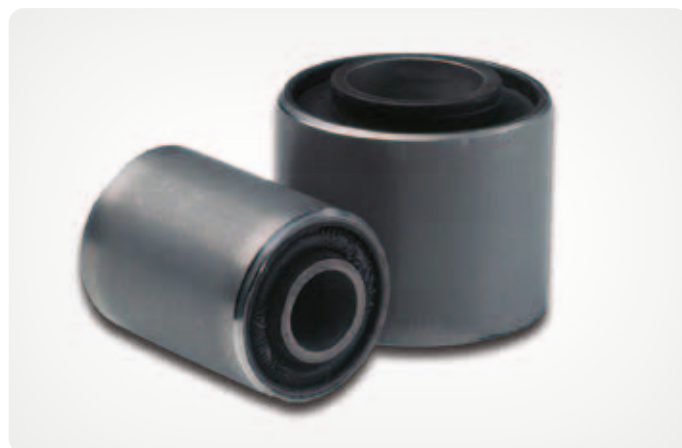


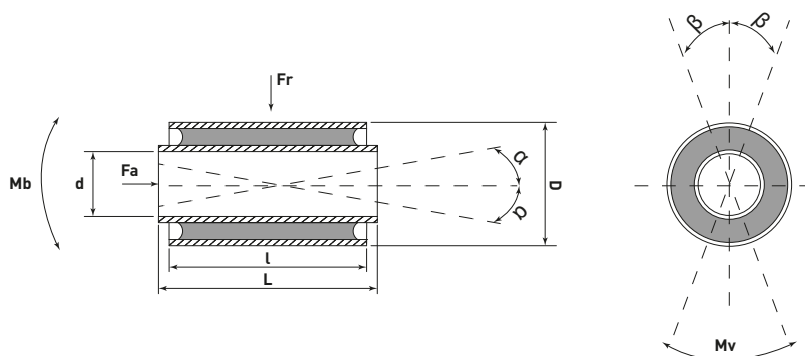
Product description

The VPP Flexible Bush is like the VP bush, with a rubber layer which is vulcanised to the two concentric tubes. Its usage is the same as for VP.

Galvanised steel FE 360



Tolerances		
d	8 to 15 mm	-0/+0.15
	16 to 25 mm	-0/+0.3
	26 to 50 mm	-0/+0.4
D	16 to 30 mm	-0/+0.1
	31 to 70 mm	-0/+0.15
	71 to 100 mm	-0/+0.2
Stiffness	±20 %	



Type	Hardness Sh(A)	Dimensions [mm]				Radial load		Axial load		Torsion		Bending	
		d	D	L	l	Stiffness [kg/mm]	Max. deflection [mm]	Stiffness [kg/mm]	Max. deflection [mm]	Stiffness [Nm/degree]	Max β [degree]	Stiffness [Nm/degree]	Max α [degree]
VPP08.2/3223	65	8.2	32	23	18	29	1.4	8	1.0	0.19	35	0.08	6
VPP09.5/2022	65	9.5	20.6	22.2	19	217	0.5	23	0.7	0.27	25	0.53	6
VPP10/2217	65	10	22	17	15	207	0.5	22	0.5	0.32	25	0.31	6
VPP10/2541	55	10	25	41	35	1483	0.5	104	1.4	1.75	20	13.76	3
VPP10/3240	65	10	32	20	15	32	1.1	9	1.0	0.24	30	0.05	7
VPP10/3230	55	10	32	30	24	350	1.1	35	1.0	0.70	20	3.50	3
VPP12/2528	55	12	25	28	25	764	0.5	67	0.7	1.22	20	3.52	3
VPP12/3034	55	12	30	34	34	425	0.8	55	0.1	1.36	30	3.98	7
VPP12/3044	55	12	30	44	34	425	0.8	55	2.1	1.36	30	3.98	3
VPP12/3040	55	12	30	40	36	414	0.9	55	0.8	1.42	30	4.40	3
VPP12/3441	55	12	34	41	35	249	1.1	43	1.4	1.32	20	2.61	3
VPP12/5062	65	12	50	62	50	102	2.3	24	2.7	1.45	30	2.44	7
VPP12.5/7466	55	12.5	74.5	66	45	126	3.4	35	4.4	2.83	30	1.52	7
VPP13/3040	65	13	30	40	40	396	0.8	44	0.8	1.13	30	5.12	3
VPP14.5/7466	55	14.5	74.5	66	45	126	3.4	35	4.2	4.69	30	2.51	7
VPP16/3872	65	16	38	72	64	2070	0.7	127	1.6	4.90	20	67	1
VPP16/5082	55	16	50	82	60	390	1.9	68	4.5	4.43	20	12.90	3
VPP16/5147	65	16	51	47.5	38	102	2.0	23	2.0	1.65	30	1.35	7
VPP16/5153	65	16	51	53.8	44.3	128	2.0	27	2.1	1.94	30	2.31	7
VPP17/3838	55	17	38	38	33	449	1.1	60	1.2	2.63	25	3.98	3
VPP18/5772	65	18	57	72	60	159	2.4	34	2.4	3.01	30	5.51	7
VPP18/5786	55	18	57	86	70	393	2.3	73	3.3	6.72	30	17.94	7
VPP28/6669	65	28	66	69	55	234	2.1	43	2.8	5.86	20	6.43	3
VPP38/8290	65	38	82	90	70	720	2.1	89	2.8	20.40	15	30.32	1
VPP40/8290	65	40	82	90	70	732	1.1	90	4.0	20.46	15	30.80	1