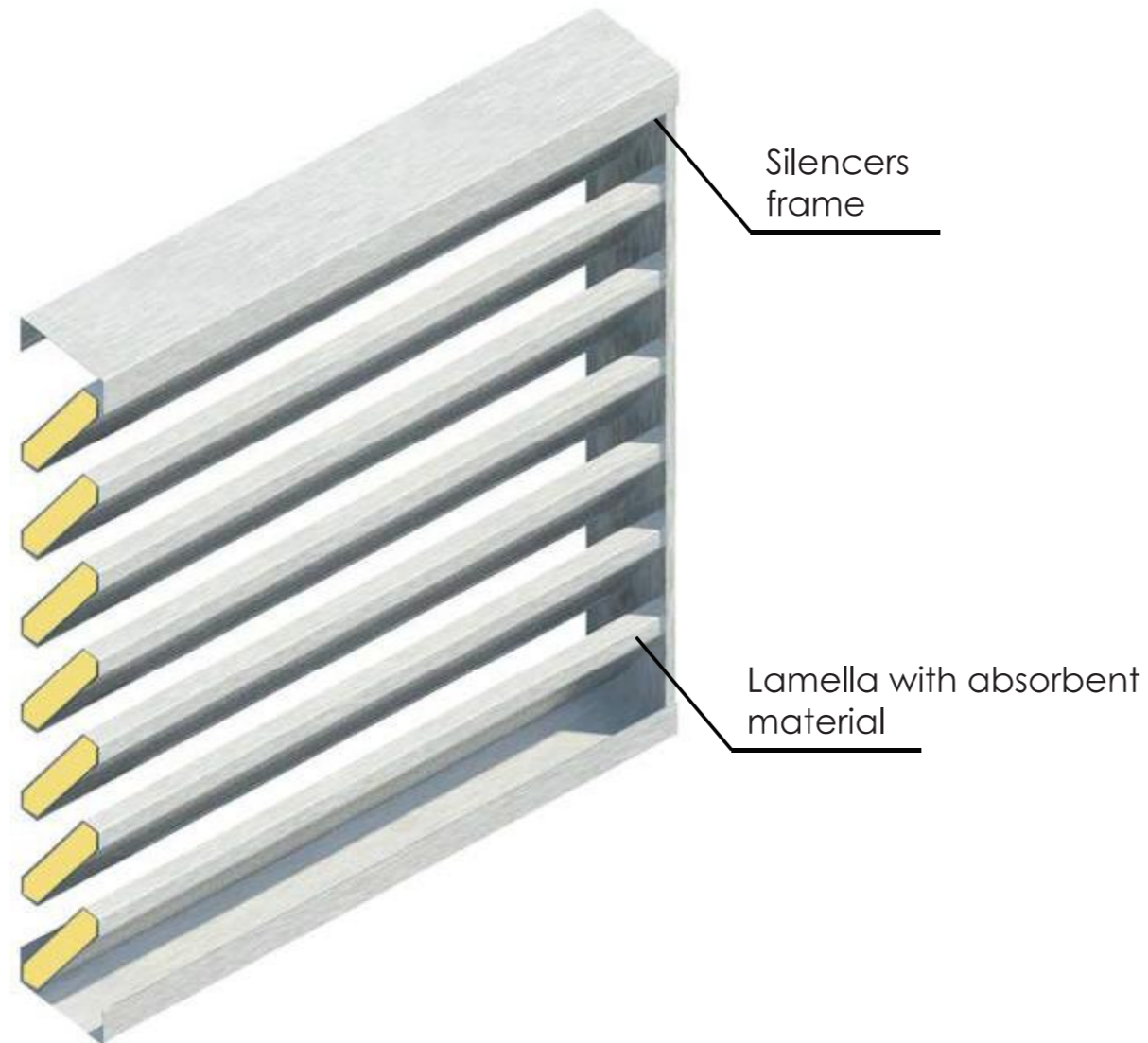


WE BUILD BETTER WORLD

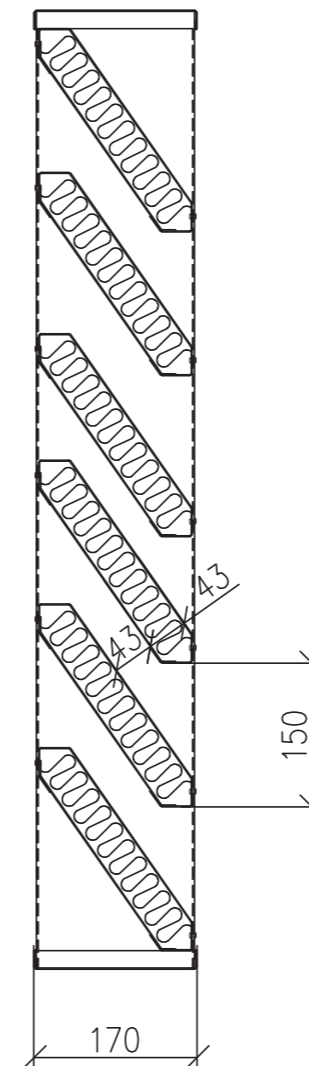
IAS JALOUSIE SILENCERS



TYPES OF JALOUSIE SILENCERS

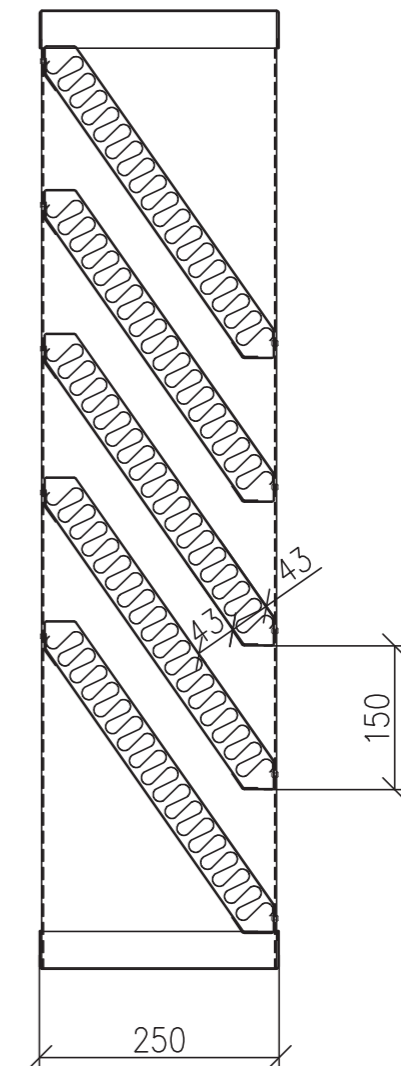
Typ MLN-160-150

Rw = 10 dB
(C= 0 dB; Ctr= -2 dB)



Typ MLW-240-150

Rw = 15 dB
(C= -1 dB; Ctr= -4 dB)



IAS jalousie silencers are the elements which constitute an acoustic barrier and enable air flow at the same time. They can be applied as the element of the IAS acoustic enclosures, vents' shielding of the spaces where noise emitting devices are located or as individual acoustic screens around the noise sources that require a constant air flow.