

Data Sheet

Noise-Lock® D-500 Steel Acoustic Door

IAC Acoustics

IAC House, Moorside Road, Winchester
Hampshire, SO23 7US, United Kingdom
T: +44 (0) 1962 873 000
www.iac-acoustics.com



Overview

- Certified performance rating
- Manufactured to standard and custom sizes
- Available as single leaf or double door sets with or without glazing
- Cam-lift hinges used to maximise acoustic seal
- Rugged steel construction
- Factory assembled and checked
- Finished in polyester powder coating as standard
- Wood veneer (US) and digital print (Europe) finish options available

Standard Features



Acoustic
Rated



Easy Access
Flat Thresholds

Optional Extras



Blast
Resistance



RF
Shielding



Fire
Rated

Acoustic Rating

STC-64(dB) to achieve minimum NIC 59 once installed (subject to flanking).

Rw (C; Ctr) 63 (-2 ; -9) dB to achieve minimum R'w58dB once installed (subject to flanking).

Certified laboratory performance in single leaf arrangement as follows:

Frequency	63	125	250	500	1k	2k	4k	8k	Hz
Noise-Lock® D-500	32	40	56	61	64	66	≥68	≥68	dB

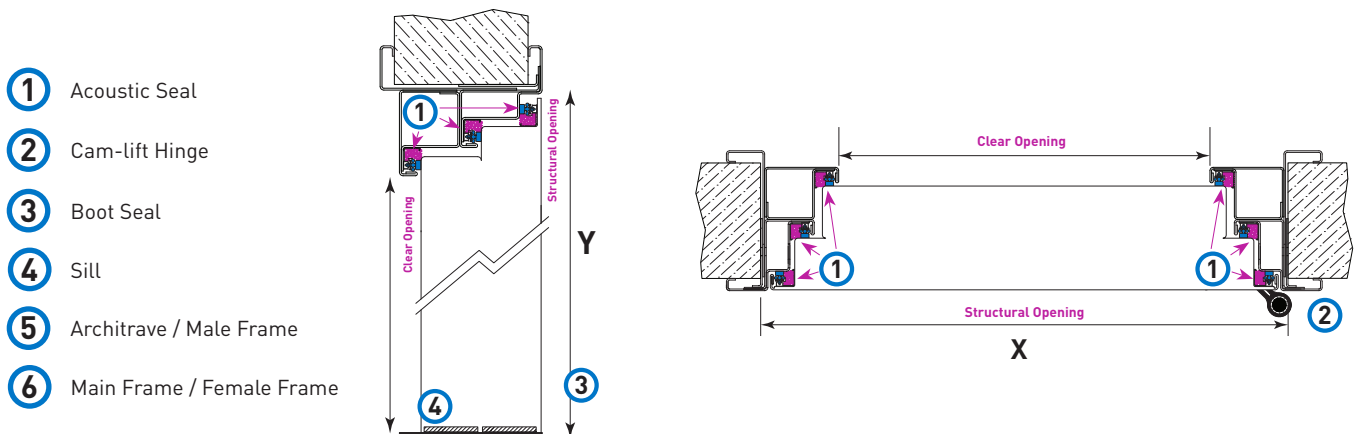
Overview

IAC Acoustics produces an engineered system — factory assembled complete with a leaf, architectural split-frame, acoustic seals, cam-lift hinges and hardware. All doors are pre-hung for operational alignment, fit and finish before shipping.

Noise-Lock® doors are laboratory-tested for performance in both IAC R&D facilities and independent laboratories, further supported by installed site testing. IAC Acoustics is renowned for quality, durability and guarantees in-field performance.

Hardware

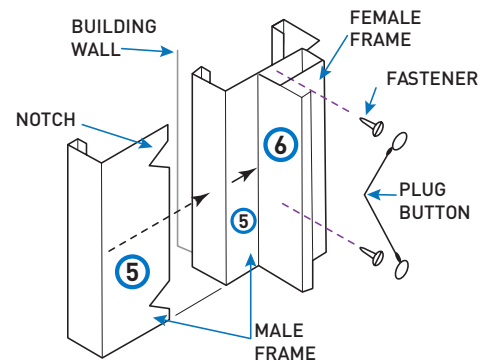
IAC Acoustics Noise-Lock® doors are available with a number of standard and custom hardware options. Please consult the IAC Hardware Catalogue for standard packs and bespoke options such as electronic systems, access control and automated operation. Bespoke options are also available by contacting your local IAC Acoustics office.



The relationship between the clear and structural openings for both width and height is the same for all sizes of Noise-Lock® D-500 doors. Measurements to consider can be seen in the table below.

	width	height
Structural Opening	X	Y
Clear Opening	X - 206mm	Y - 111mm*

* excludes threshold



Performance Features

- Self-aligning magnetic seals assure long life and high in-field performance, even under constant use
- Cam-lift hinges lower and seal the door to the floor eliminating the high maintenance of automatic drop seals
- Split frames eliminate in-field grouting to achieve the specified acoustic performance with quick and clean installation



IAC Acoustics

IAC House
Moorside Road
Winchester, SO23 7US

T: +44 (0) 1962 873 000
F: +44 (0) 1962 873 111
E: winchester@iac-acoustics.com

www.iac-acoustics.com